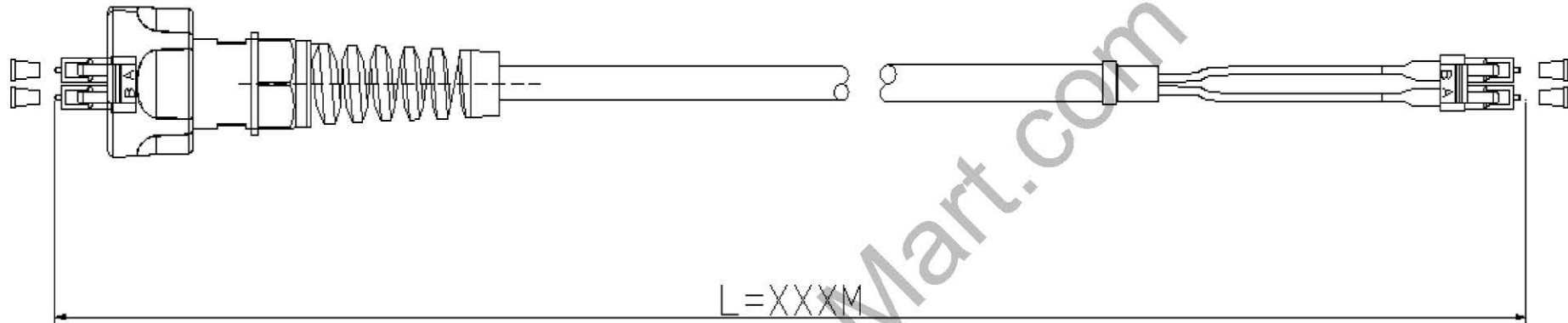



A SIDE:ODVA-LC

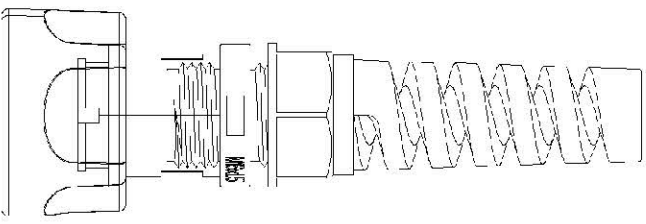
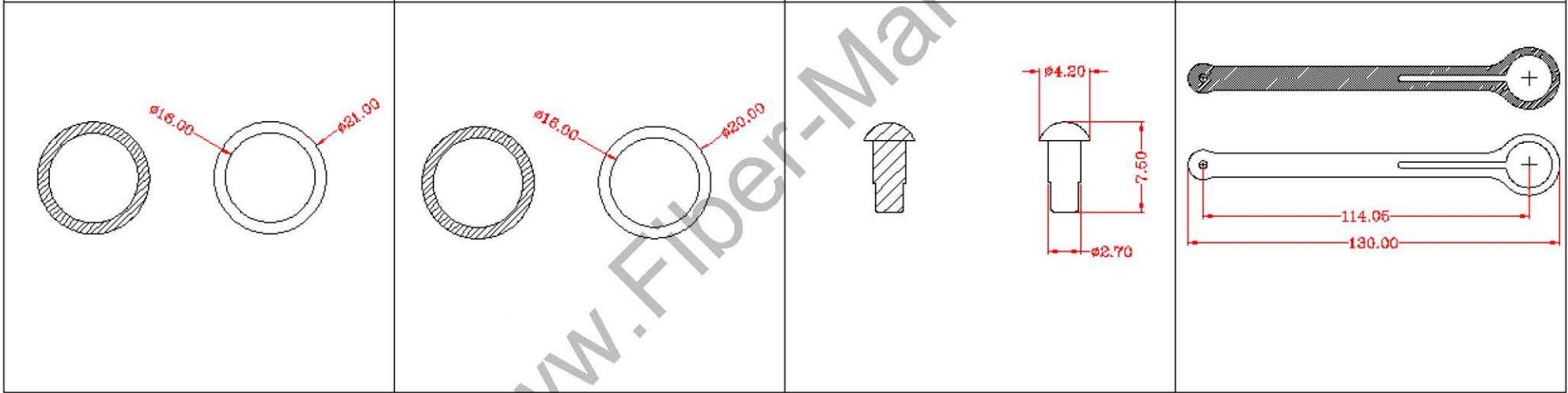
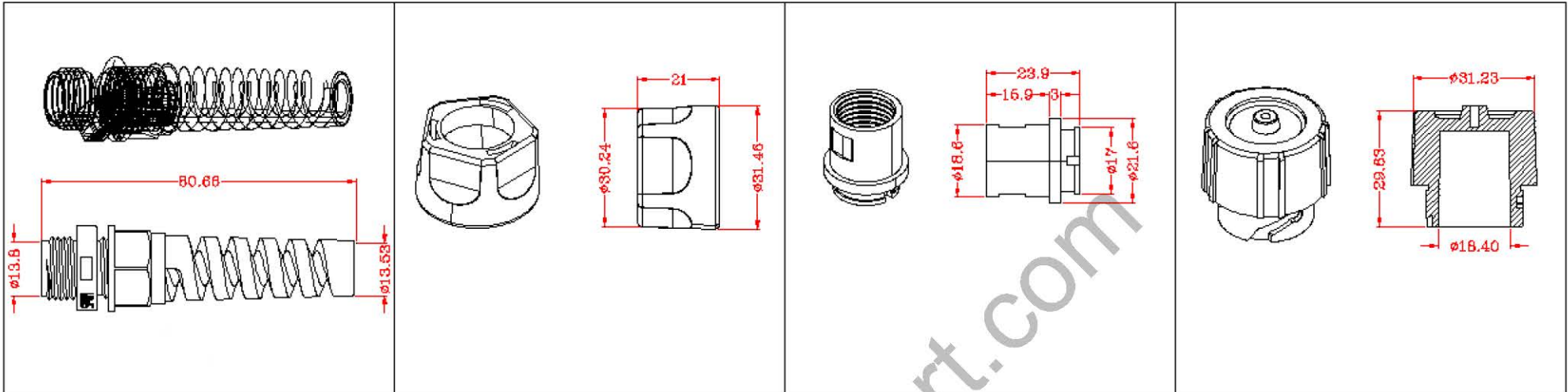
B SIDE:DLC



Notes:

1. Test wavelength:1310/1550NM;
IL<0.3dB; RL>55dB;
2. Operating temperature:-20°C~+80°C;
3. Storage temperature:-40°C~+80°C;
4. Connector:UL 94V-2;
5. IP68 rated when covered or fully mated with the appropriate mating connector;
6. Accept $\varnothing 5.0\text{mm} \sim \varnothing 7.0\text{mm}$ outside diameter fiber optic cable;

UNLESS OTHERWISE SPECIFIED TOLERANCE TO BE					A			
LINEAR	ANGULAR				REV.	DESCRIPTION	APVD	DATE
XX ±FIRST	X° ±FIRST	MATL:	DRN:	DATE:	TITLE: ODVA (LC)-- DLC			
XXX ±SND	XX° ±SND	FINISH:	CKD:	DATE:				
XXX±THIRD	XX° ±THIRD	REF:	APVD:	DATE:	DRAWING NO.		SHEET	
BREAK ALL SHARP EDGES AND REMOVE ALL BURRS		THIRD ANGLE PROJECTION			SCALE: 1:1	PART No:	SIZE: A 4	1 OF 1
DO NOT SCALE		DIMENSIONS IN MILLIMETERS						



UNLESS OTHERWISE SPECIFIED TOLERANCE TO BE					A			
LINEAR	ANGULAR				REV.	DESCRIPTION	APVD	DATE
XX ±FIRST	X° ±FIRST	MATL:	DRN:	DATE:	TITLE: ODVA-SC PLUG			
XXX ±S'ND	XX° ±S'ND	FINISH:	CKD:	DATE:				
XXX±THIRD	XX° X" ±THIRD	REF:	APVD:	DATE:	DRAWING NO.		SHEET	
DO NOT SCALE		THIRD ANGLE PROJECTION		SCALE: 1:1	PART No:	SIZE: A 4	1 OF 1	

